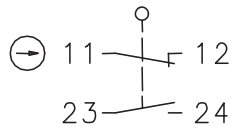


Metal bodied limit switch Series D

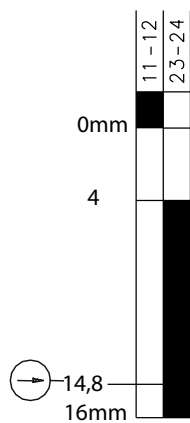
Description **D-U1Z HW**

Article number **6041121231**

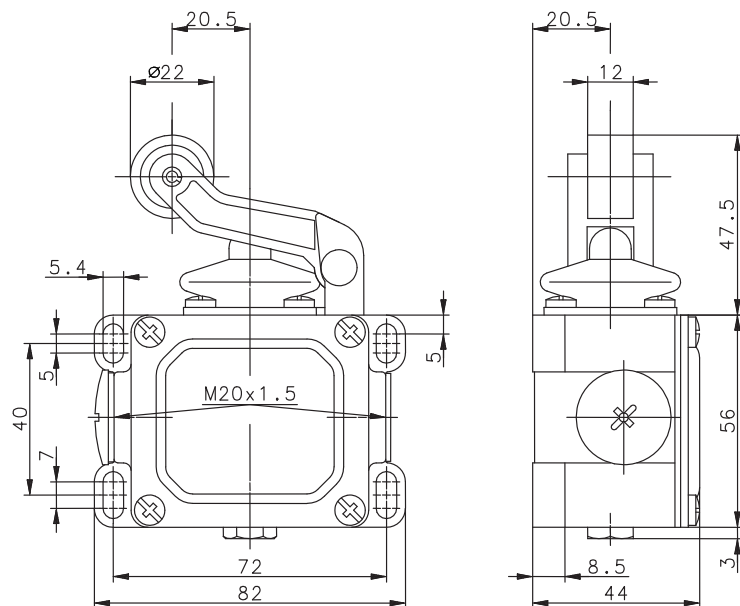
Operating symbol




Operating diagram



On
 Off
 Tolerance:
 Operating point $\pm 0,25$ mm;
 Actuating force ± 10 %



Electrical Data

| | | |
|---------------------------------|---|--------------------------------|
| Rated insulation voltage | U_i | 400 V AC |
| Conv. thermal current | I_{the} | 10 A |
| Rated operational voltage | U_e | 240 V |
| Utilization category | | AC-15, U_e/I_e 240 V / 10 A |
| Direct opening action |  | acc. IEC/EN 60947-5-1, annex K |
| Short-circuit protective device | | Fuse 10 A gG |
| Protection class | | I |

| Mechanical data | |
|--------------------------|---|
| Enclosure | Die-cast aluminium |
| Cover | Die-cast aluminium |
| Actuator | Lever (steel), roller (thermoplastic) |
| Ambient air temperature | -30 °C ... +80 °C |
| Contact type | 1 NC, 1 NO (Zb) |
| Mechanical life | 10 x 10 ⁶ switching cycles |
| Switching frequency | ≤ 100 / min. |
| Assembly | 4 x M5 |
| Connection | 4 screw connections (M4) |
| Conductor cross-sections | Solid: 0,5 ... 1,5 mm ² or Litz wire with ferrules: 0,5 ... 1,5 mm ² |
| Cable entrance | 2 x M20 x 1,5 |
| Weight | ≈ 0,33 kg |
| Installation position | operator definable |
| Protection type | IP65 acc. to IEC/EN 60529 |

| ID for safety engineering | |
|---------------------------|-----------------------------|
| B10d | 20 x 10 ⁶ cycles |

| Actuation |
|--|
| <p>The actuating device is preferably started from 1 sides. By loosening the 4 screws the actuation assembly can be rotated in 90 degree increments such that 4 actuation directions are possible. The actuation assembly is to be again fastened to the housing using the 4 screws.</p> |

| Standards |
|--|
| VDE 0660 T100, DIN EN 60947-1, IEC 60947-1 |
| VDE 0660 T200, DIN EN 60947-5-1, IEC 60947-5-1 |
| DIN EN ISO 13849-1 |

| EU Conformity |
|--|
| acc. to directive 2014/35/EU (Low-Voltage-Directive) |

| Approvals |
|---|
| cCSA _{US} A300 (same polarity) |

| Notes |
|--|
| The degree of protection (IP code) specified applies solely to a property closed cover and the use of an equivalent cable gland with adequate cable. |